

Please verify the contents of the packages!

Please read instructions entirely before starting installation
Be sure power is turned off before installing or modifying the system

Call Tivoli, LLC tech support with questions

Caution: Fantasma™ Seat Light is designed to work with listed Class 2 12V DC transformers only. Use of any other power source will cause damage, shorten the life of the fixture and will void the warranty.

Consult any and all applicable local and national codes for installation.

Do not conceal or extend exposed conductors through a building wall as per local electrical code.

Warning: With any luminaire for any application, basic safety precautions should always be followed to reduce the risk of fire, electric shock and personal injuries. This lighting system should be installed by a certified professional

Installation Instructions



Installation with Junction Box in Riser

Step 1: Measure 12 inches to 16 inches up from floor on Chair Standard and mark. Use template on page 4 to locate and Drill two mounting holes centered on Seat Standard for mounting the Seat Light. Locate and drill two mounting holes for End Caps using the template.

Step 2: Drill a $\frac{5}{16}$ " diameter hole through frame of chair standard suitable to feed flexible cable through to floor.

Step 3: CAUTION! Risk of Damage To Product. Remove lens carefully (See Page 3). Be especially cautious if the fixture lens incorporates a row indicator. There is wiring connecting the Row Indicator to the fixture. Remove lens with caution when separating it from base to avoid damaging the wire connections.

Step 4 : Feed flexible cable through hole, as shown, to inside of seat frame and secure at bottom of frame, with clamps (3 included).

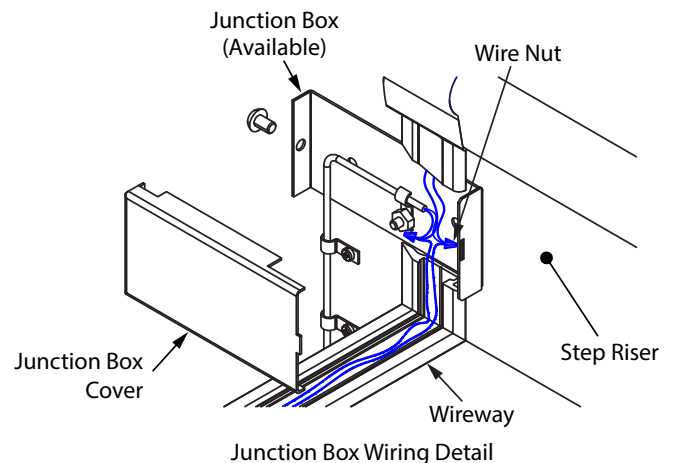
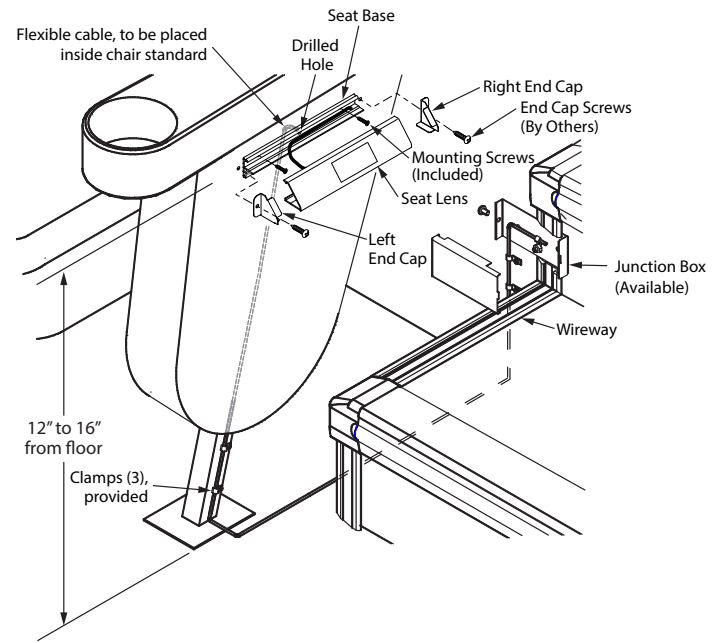
Step 5: Secure Fantasma™ Seat Base with (2) #6 x $\frac{1}{2}$ " phillips flat-head screws (included). Then snap in lens cover.

Step 6: install left and right End Caps with suitable screws (by others).

Step 7 : The junction box (available separately) must align with the wireway and be mounted on the step riser so that the cutout of the junction box lines up with the wireway, see detail. (Mounting screws by others.)

Step 8: Feed wires along wireway and junction box and make wire connections using wire nuts.

Note: White wire is positive (+) and Black wire is negative (-).



7120010

Installation Instructions (Continued)

For Installation With Junction Box On Floor

Step 1: Measure 12 inches to 16 inches up from floor on Chair Standard and mark. Use template on page 4 to locate and Drill two mounting holes centered on Seat Standard for mounting the Seat Light. Locate and drill two mounting holes for End Caps using the template provided.

Step 2: Drill a $\frac{5}{16}$ " diameter hole through frame of chair standard suitable to feed flexible cable through to floor.

Step 3: CAUTION! Risk of Damage To Product. Remove lens carefully (See Page 3). Be especially cautious if the fixture lens incorporates a row indicator. There is wiring connecting the Row Indicator to the fixture. Remove lens with caution when separating it from base to avoid damaging the wire connections.

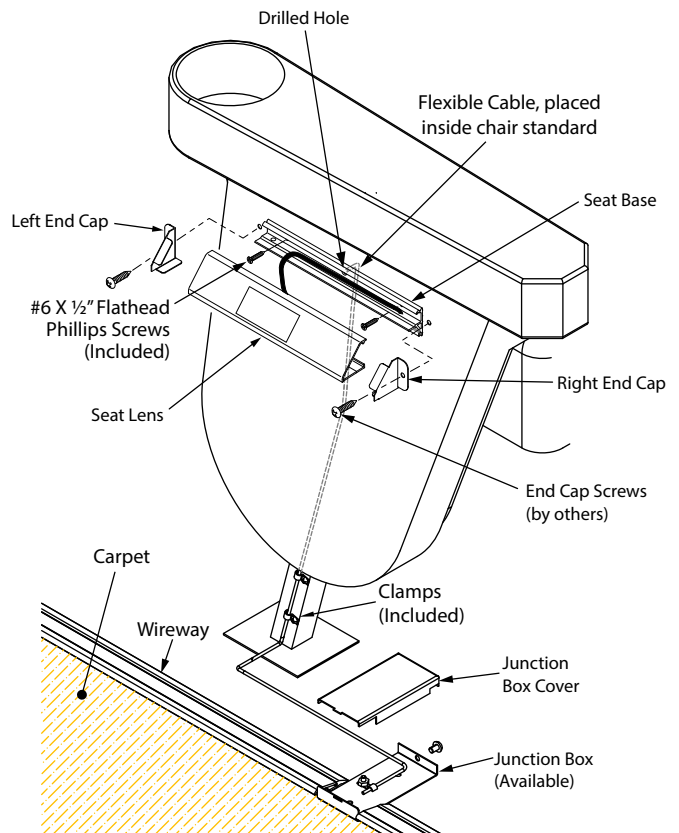
Step 4: Feed flexible cable through hole, as shown, to inside of seat frame and secure at bottom of frame, with clamps (included).

Step 5: Secure Fantasma™ Seat Base with (2) #6 x $\frac{1}{2}$ " phillips flat-head screws (included). Then snap in lens cover.

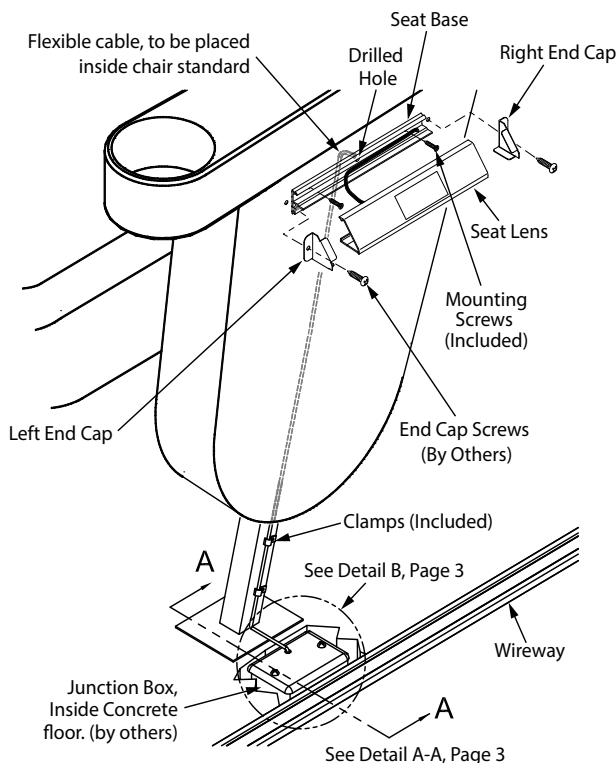
Step 6: install left and right End Caps with suitable screws (by others).

Step 6: The junction box (available separately) must align with the wireway and be mounted on the bare finished floor, so that the cutout of the junction box lines up with the wireway, see detail. (Mounting screws by others.)

Step 7: Feed wires along wireway and junction box and make wire connections using wire nuts.



For Installation With Junction Box Recessed In Floor



Step 1: The Junction box and flex conduit, by others (see section A-A Detail) should be placed, before concrete is poured.

Step 2: Measure 12 inches to 16 inches up from floor on Chair Standard and mark. Use template on page 4 to locate and Drill two mounting holes centered on Seat Standard for mounting the Seat Light. Locate and drill two mounting holes for End Caps using the template provided.

Step 3: Drill a $\frac{5}{16}$ " diameter hole through frame of chair standard suitable to feed flexible cable through to floor.

Step 4: CAUTION! Risk of Damage To Product. Remove lens carefully (See Page 3). Be especially cautious if the fixture lens incorporates a row indicator. There is wiring connecting the Row Indicator to the fixture. Remove lens with caution when separating it from base to avoid damaging the wire connections.

Step 5: Feed flexible cable through hole, as shown, to inside of seat frame and secure at bottom of frame, with clamps (included).

Step 6: Secure Fantasma™ Seat Base with (2) #6 x $\frac{1}{2}$ " phillips flat-head screws (included). Then snap in lens cover.

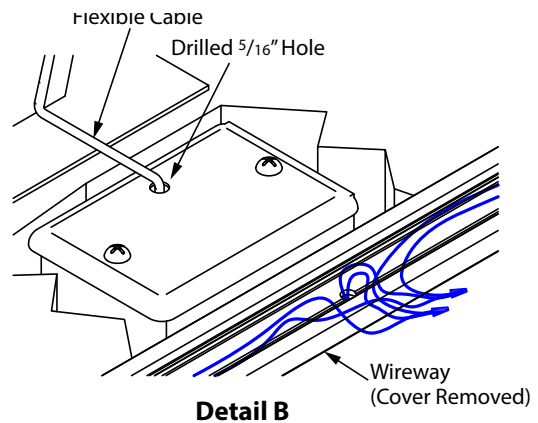
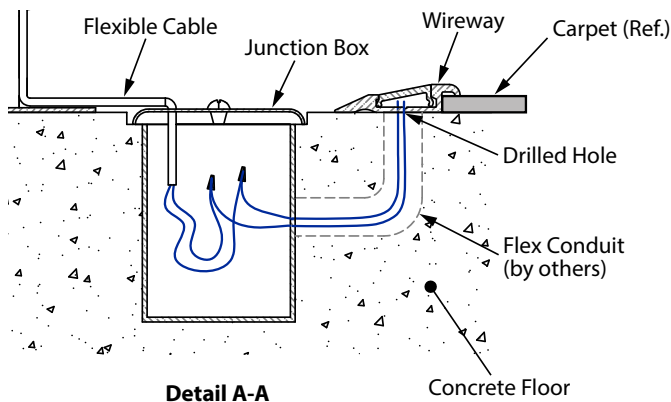
Step 7: install left and right End Caps with suitable screws (by others).

Installation Instructions (Continued)

Step 7: Drill a $\frac{5}{16}$ " diameter hole into the junction box lid. Feed flexible cable through hole.

Step 8: Drill a $\frac{5}{16}$ " diameter hole into wireway extrusion. Be sure hole is aligned with flex conduit (Step 1).

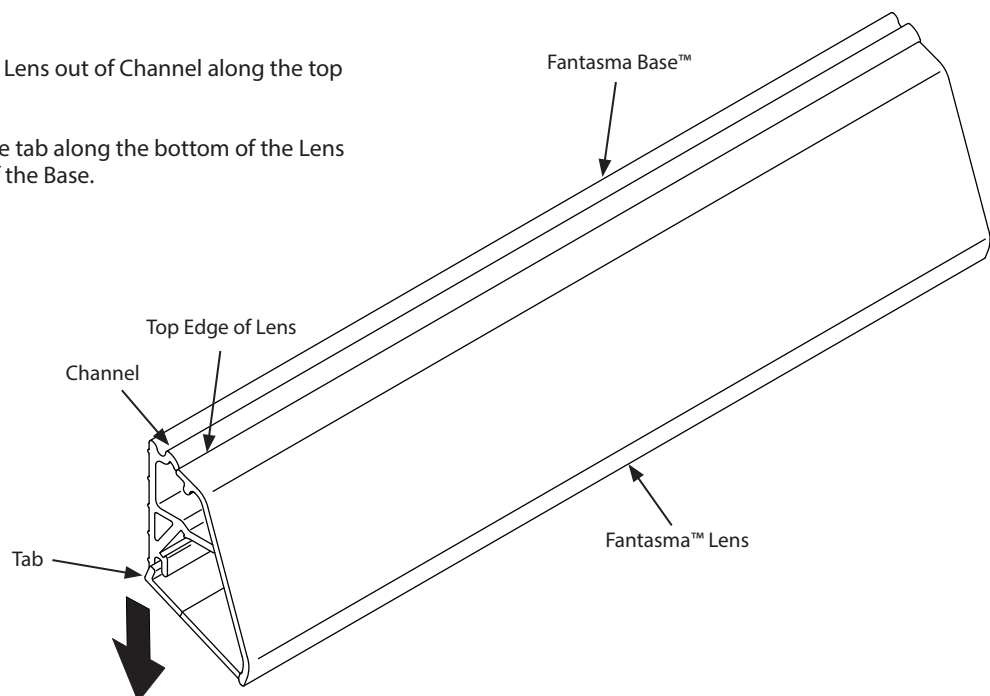
Step 9: Feed wires along wireway and through hole and flex conduit to the junction box and make wire connections using wire nuts.



Removing Lens From Fantasma Seat Light

Step 1: Starting at one end, lift the Lens out of Channel along the top of Fantasma™ Base.

Step 2: Starting at one end, pull the tab along the bottom of the Lens out of the slot along the bottom of the Base.



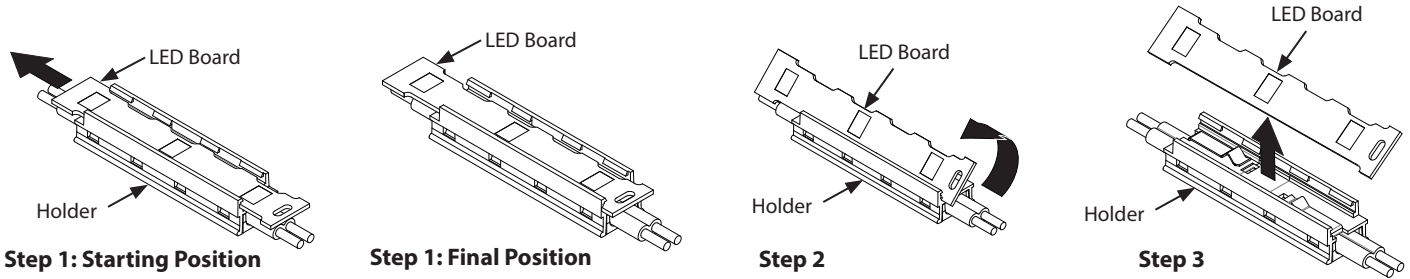
Removing and Installing the LED Board

Step 1: Slide board to the left as far as it will go. Insert a pointed object, such as a pen tip, into the slot at the end of the LED board to slide it more easily.

Step 2: Rotate top edge of board upward, as shown.

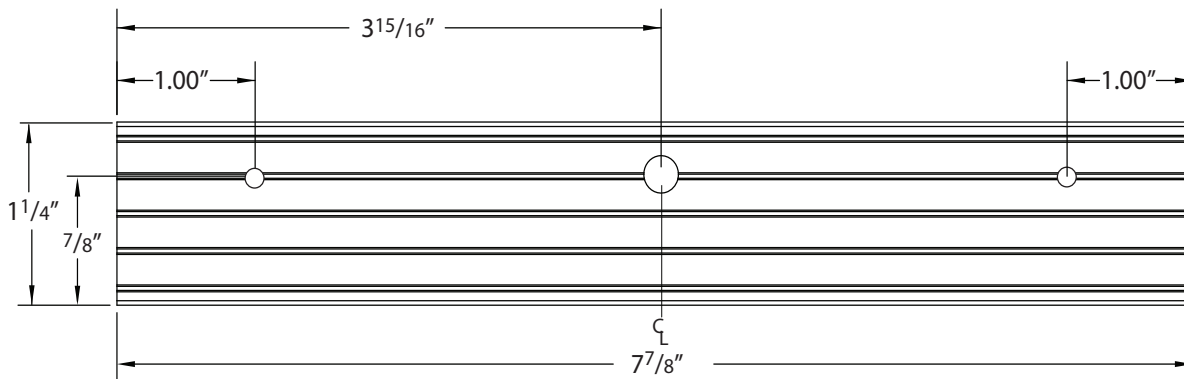
Step 3: Remove board.

Installation: Reverse steps to install.



Templates For Hole Locations

Template Without End Caps



Overall Length with End Caps

